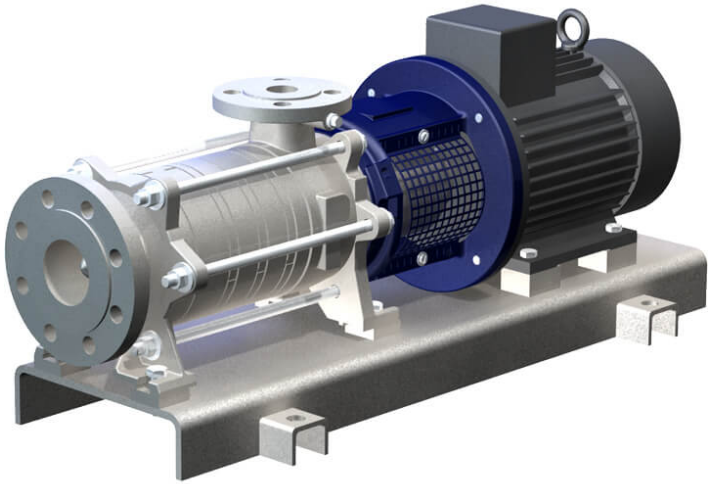


Side channel pump ASK 5001 - 5008-MK



These self-priming, gas handling side channel pumps with magnetic coupling have a very low NPSH level, thanks to the NPSH suction level, which is why they are used for applications in which there are difficult suction or intake conditions, for example in boiler feed pumps or condenser pumps. Due to the magnetic coupling there is no shaft seal and the pumps can therefore also be used for difficult media.

Details

Flow rate Q in m³/h: max. 20

Motor performance in kW (P₂): 3,00 - 30

Total head H in m WS: max. 295